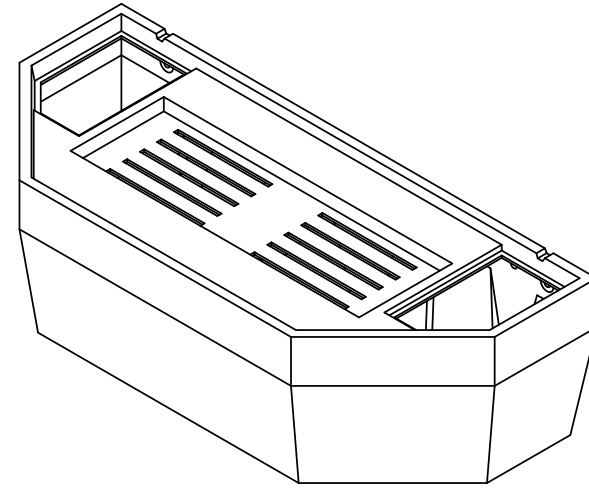


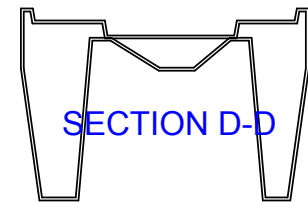
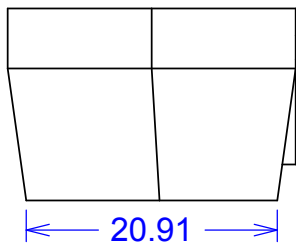
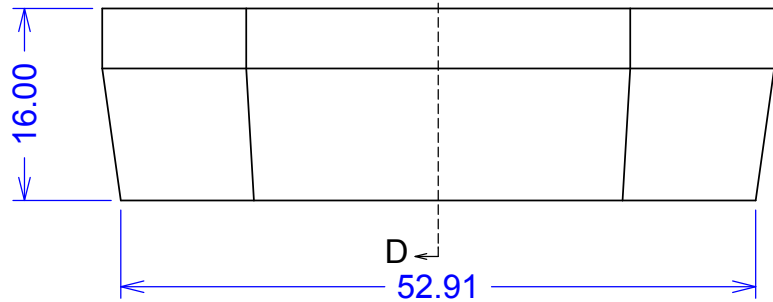
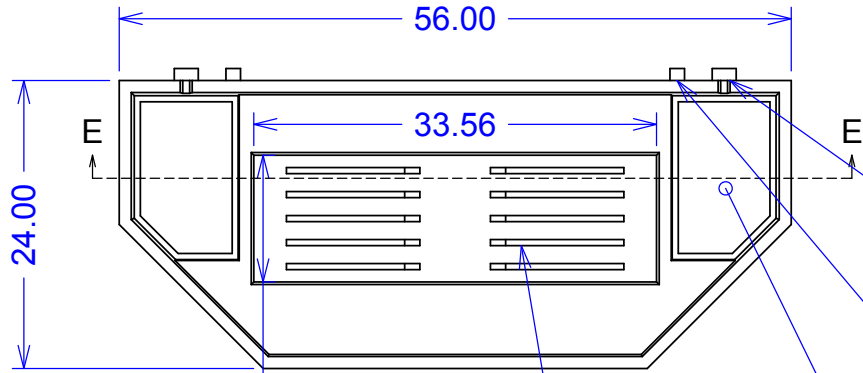
SECTION E-E



2" NPT raised double end spinweld [2x]

1/2NPT #53dtb raised double end spinweld [2x]

same as B-9870



SECTION D-D

45lbs @ 1/4" wall

G:\Engineering\DATA\Blue Thumb\B-9950-LargeHalfMoonBasin\

PROPRIETARY AND CONFIDENTIAL THE INFORMATION CONTAINED IN THIS DRAWING IS THE SOLE PROPERTY OF SELJAN CO.. ANY REPRODUCTION IN PART OR AS A WHOLE WITHOUT THE WRITTEN PERMISSION OF SELJAN CO. IS PROHIBITED.		DO NOT SCALE DRAWING. DIMENSIONS ARE IN INCHES. TOLERANCES UNLESS SPECIFIED: TWO PLACE DECIMAL: ±0.010 PER 1" THREE PLACE DECIMAL: ±0.01" ANGULAR: ±1° CORNER RADIUS: 0.25"±0.13" FLATNESS: ±0.020" PER 1" LINEAR TOL.: ±0.010" PER 1"		BLUE THUMB	
DRAWN: JJS Wednesday, July 24, 2013 10:57:23 AM				56X24 LARGE HALF MOON BASIN B9520-00-159	
MATERIAL: PE		SIZE: A	PART NO.: B-9950	REV.: .	ENGINEERING APPROVAL:
		SCALE: 1:16			SHEET 1 OF 1