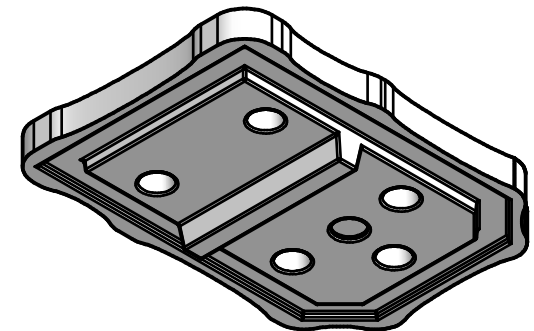
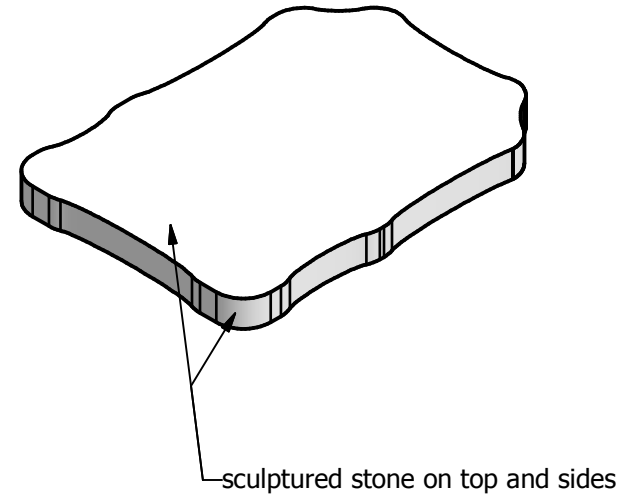
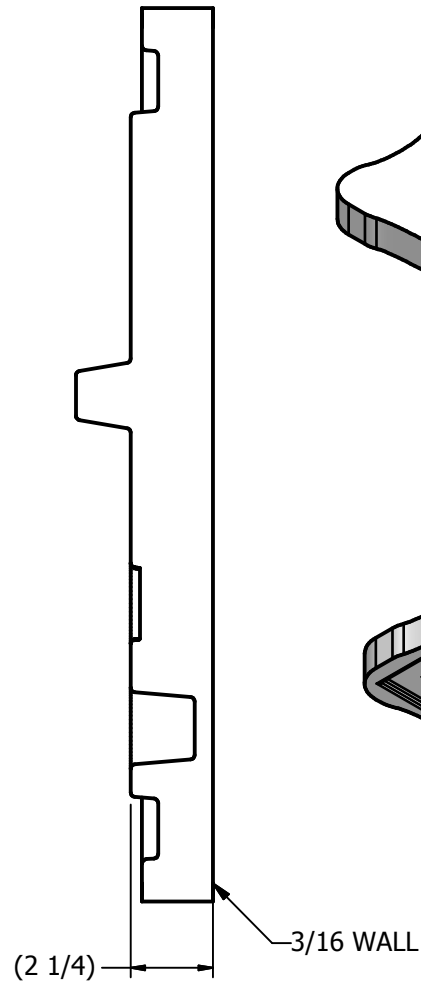


fill port[1]
must fit on 8" skimmer box



Material:LLDPE	UNLESS OTHERWISE SPECIFIED: DIMENSIONS ARE IN INCHES: TOLERANCES: FRACTIONAL ± 1/4 ANGULAR ± 1° TWO PLACE DECIMAL ± 0.10 Lin. In. THREE PLACE DECIMAL ± .01	PROPRIETY AND CONFIDENTIAL THE INFORMATION CONTAINED IN THIS DRAWING IS THE SOLE PROPERTY OF SELJAN COMPANY. ANY REPRODUCTION WITHOUT THE WRITTEN PERMISSION OF SELJAN COMPANY IS PROHIBITED.	Blue Thumb	
Drawn: JJS 2/19/2008			Title: 8"Elite Skimmer Lid-Stone	
DO NOT SCALE DRAWING			Part No: B-9840	